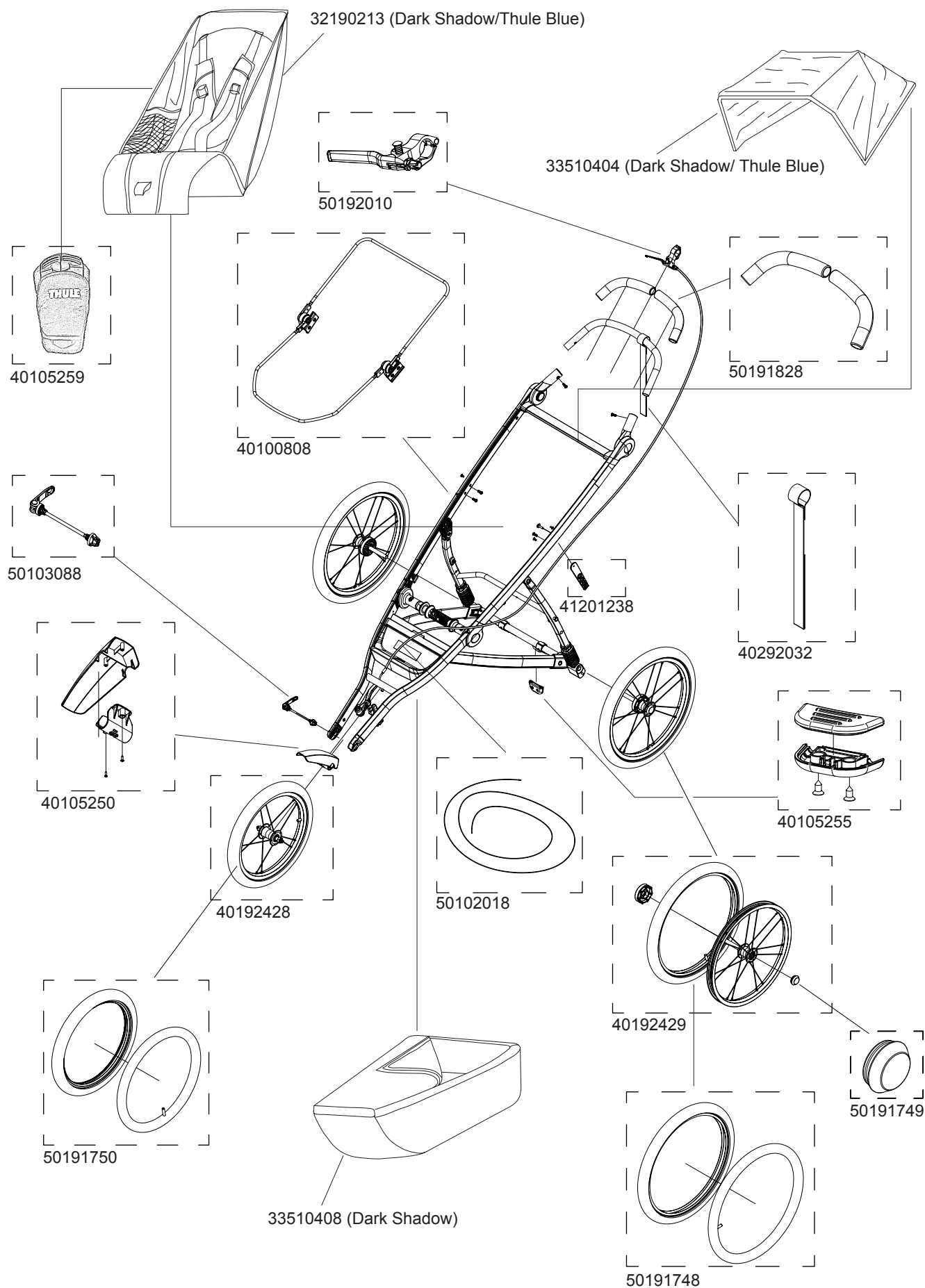


Thule Glide

10101901

THULE[®]

SWEDEN



» PART OF THULE GROUP

14/05/2015

THULE[®]

SWEDEN

Rev 2

TCTS