

Parts List

ITEM	ITEM #	DESCRIPTION
1	30100134	Body - Chariot Cab Royal/Red/Silver 03-04
2	30100135	Body - CAB Med Blue/Silver/Gold 05
3	30100136	Body - CAB Med Blue/Silver/Gold 06
4	30300108	Body - Zwei CAB Royal/Yellow/Grey 05
5	30300109	Body - Zwei CAB Med blue/silver/gold 06
6	31100114	Cover - CAB - PI/Mesh Royal/Black 02-04
7	31100115	Cover - CAB - PI/Mesh med blue/gold/blk - 05
8	40101514	Versa Wing 1.0 - L - Chariot, Sm L w/Hole & Boss - Grey
9	40101515	Versa Wing 1.0 - R - Chariot, Sm R w/Hole & Boss - Grey
10	40102124	Cut End Cap (w. Stud Snap) 97-06
11	40102404	Wheel Assy - CAB - Kenda Tire - 50mm Grooved Hub - 07-X
12	40105005	LH Autolock Assy - (Except CGR2 12-X) - All carriers (03-X) (SP)
13	40105010	RH Autolock Assy - (Except CGR2 12-X) - All carriers (03-X) (SP)
14	40105064	Seat Frame - Seat Anchor Tube (SP)
15	40105071	Seat Frame - Upper Seat Frame Assy CAB/COR2/CAP/CHF/COM (SP)
16	40105074	Lower Back Frame Assy - LH - CDD/CAB/COR/COM 03-X
17	40105075	Lower Back Frame Assy - RH - CDD/CAB/COR/COM 03-X
18	40105080	Clevis Axle - CAB 07-X (SP)
19	40105084	Upper Frame Assy - LH - CAB 07-X (SP)
20	40105085	Upper Frame Assy - RH - CAB 07-X (SP)
21	40105086	Axle Assembly - CAB - 07-X (SP)
22	40105087	Button Flat Ramp - CAB - 07-X (SP)
23	40191306	Handlebar Assy - Touring - CAB, COR2, CAP, CHF, TRA, TRD
24	40202035	Shoulder Harness w/Long Fleece, Black 03-06
25	50191416	CAP - Wheel Rubber Cap - CGR/CHE/CAB/COR2/CAP 03-11

PART NUMBER 10100134		SHEET 1 OF 2	
REV	ECO NUMBER	DATE	INITIAL
A	2013-12	02/01/13	KM
B	2013-30	04/22/13	SD



**DWG for rev & spare parts control only.**

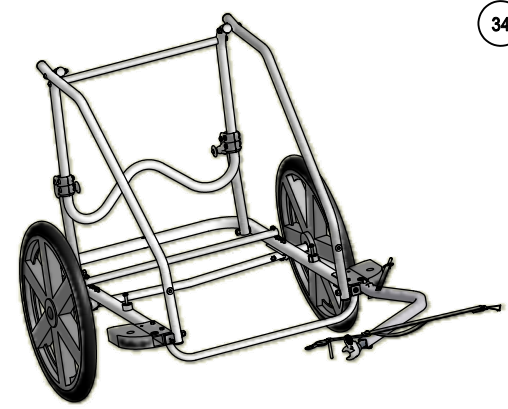
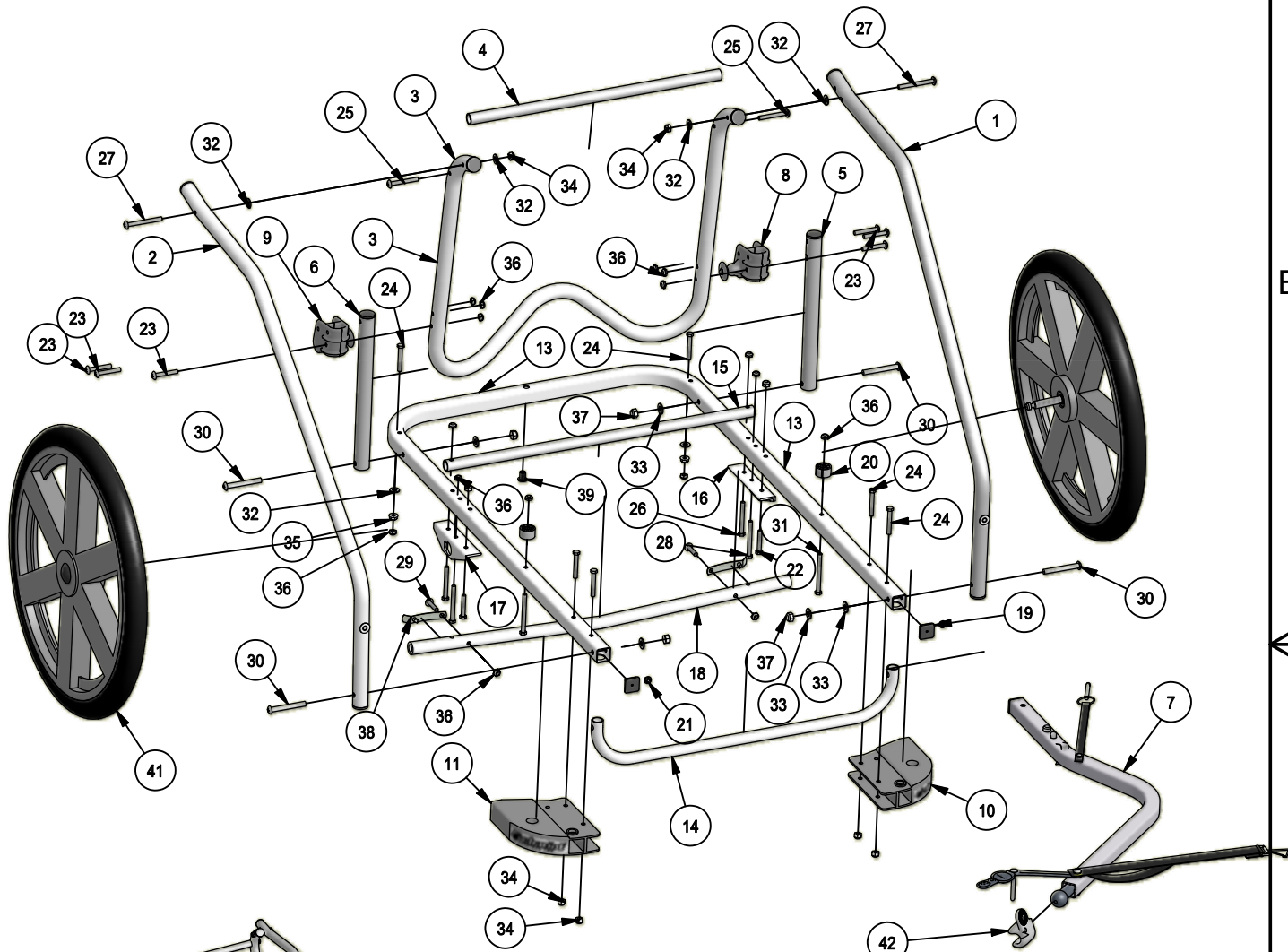
NOTE:  
Carrier may not have been sold with Kits as shown.

THIS PRINT IS THE CONFIDENTIAL AND PROPRIETARY PROPERTY OF THULE CHILD TRANSPORT SYSTEMS LTD. THE REPRODUCTION OF THIS PRINT, MANUFACTURE OF THE ITEM DESCRIBED HEREON, OR THE DISCLOSURE OF THE SAME IS FORBIDDEN WITHOUT THE EXPRESSED WRITTEN CONSENT OF THE OWNER	MATERIAL N/A	<b>UNLESS OTHERWISE SPECIFIED ALL DIMENSIONS ARE IN MILLIMETERS</b> PERPENDICULAR SURFACES TO BE SQUARE WITHIN .03 TOTAL RUNOUT WITHIN .08 ON COMMON DIAMETERS ALL DRILLED HOLES TO BE MAX 0.2 mm OVERSIZED REMOVE SHARP EDGES .15 MAX FILLETS R.15 MAX ANGLES ± 0°30' ALL MACHINED SURFACES 64 MICRO INCHES TOLERANCE: DECIMAL X = ± 1 mm .X = ± .5 mm .XX = ± .2 mm	DRAWN KMENDES	
	CONDITION N/A		DATE 01/02/2013	
	FINISH N/A		DESCRIPTION Chariot CAB Royal/Red/Silver 03-04	

2

1

Parts List			
ITEM	QT	ITEM #	DESCRIPTION
1	1	40100105	Upper Frame L
2	1	40100106	Upper Frame R
3	1	40100403	Back Frame
4	1	40100601	Seat Frame
5	1	40100723	Back Tube Round LH
6	1	40100724	Back Tube Round RH
7	1	40101109	Hitch Arm Cab, Cor
8	1	40101281	Autolock Back Bracket
9	1	40101282	Autolock Back Bracket
10	1	40101514	Left Wing-Small-(Chariot)-(Grey)-With Hole
11	1	40101515	Right Wing-Small-(Chariot)-(Grey)-With Hole
41	2	40102403	Wheel Assembly Cab, Cdd
13	1	41100203	Lower Frame Cab
14	1	41100454	Front Frame - U
15	1	41100628	Seat Anchor Tube
16	1	41101206	Bracket Wheel - CDD/CAB L
17	1	41101207	Bracket Wheel - CDD/CAB R
18	1	41101725	Hollow Axle - Cor/Cap
19	2	41102124	Cut - End Cap - 1" SQ 0.058
20	2	41102128	Cut Spacer - 15mm
21	2	50100406	Stud Snap - 5/8 in
22	2	50100509	Bolt - 1/4-20 x 1 1/2" HX
23	6	50100510	Bolt 1/4-20x1 5/8" TR
24	6	50100514	Bolt 1/4-20x1 3/4" HX
25	2	50100518	Bolt 1/4-20x2" TR
26	2	50100523	Bolt 1/4-20x2 1/4" HX
27	2	50100524	Bolt 1/4-20x2 1/2" TR
28	2	50100525	Bolt 1/4-20x2 1/2" HX
29	2	50100549	Bolt 1/4-20x1 1/8" TR
30	4	50100550	Bolt 5/16-18x2 1/2" TR
31	2	50100556	Bolt 1/4-20x2 3/4" HX
32	6	50100614	Washer 1/4" SAE
33	6	50100616	Washer 5/16" SAE
34	8	50100705	Nut lock 1/4"
35	2	50100706	Nut - Flange 1/4"
36	16	50100708	Nut - Jam 1/4"
37	4	50100710	Nut Lock 5/16
38	2	50101003	Flat Ramp Button
39	1	50101443	Spacer - Nylon Sleeve 1/2"
42	1	50103033	Axle Mounted Hitch



<b>chariot</b> carriers inc		
Title	Part #	Revision
<b>Chariot Cab 04</b>	<b>10100134</b>	<b>*</b>
Supplier	Material	Supplier #
	<b>graham</b>	
Local Shape #	Jig #	Units
		mm (in)
Drawn By	Date	Predecessor's #
<b>graham</b>	<b>9/18/2003</b>	

2

1